

TECHNICAL DATASHEET
GL NYLON multipurpose plug

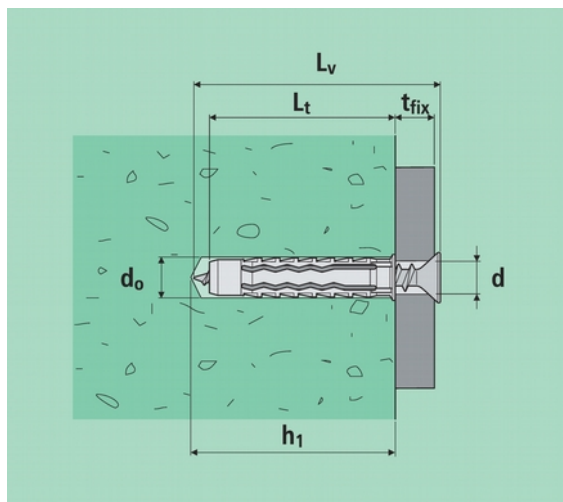
EN
rev 04/2017
p. 1/3



Multipurpose nylon plug with 4-parts structure
For non-push-through and push-through installation
Can be used with chipboard and metric screw
Also available with extended lengths 6x45 and 8x50

Base material

specific use	suitable use
concrete natural stone solid masonry perforated masonry	hollow masonry concrete hollow blocks plasterboard AAC



- d_0 = plug diameter = hole diameter
- L_t = plug length
- h_1 = minimum hole depth
- h_{nom} = nominal embedment depth
- h_{ef} = effective anchorage depth
- d = screw diameter
- L_v = screw length
- t_{fix} = fixable thickness

non-push-through installation:

$$h_{nom} = h_{ef} = L_t$$

$$L_v \geq L_t + t_{fix}$$

push-through installation:

$$h_{nom} = h_{ef} < L_t$$

$$L_v \geq L_t$$

GL Nylon

art.	descr.	d mm	L_t mm	h_1 mm	d_v mm
65001	GL5	5	25	35	3 ÷ 4
65002	GL6	6	30	45	4 ÷ 5
65115	GL645	6	45	60	4 ÷ 5
65003	GL8	8	40	55	4.5 ÷ 6
65116	GL850	8	50	65	4.5 ÷ 6
65004	GL10	10	50	65	6 ÷ 8
65017	GL12	12	60	80	8 ÷ 10
65018	GL14	14	70	90	10 ÷ 12

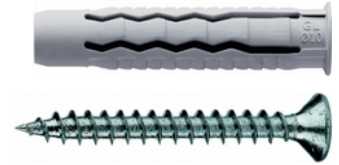


TECHNICAL DATASHEET
GL NYLON multipurpose plug

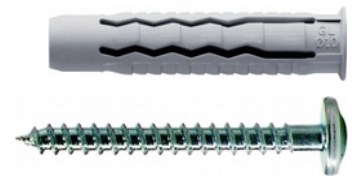
 EN
 rev 04/2017
 p. 2/3

GL Nylon with chipboard countersunk screw, cross head, white-zinc plated

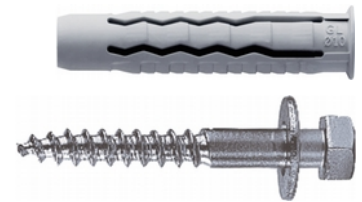
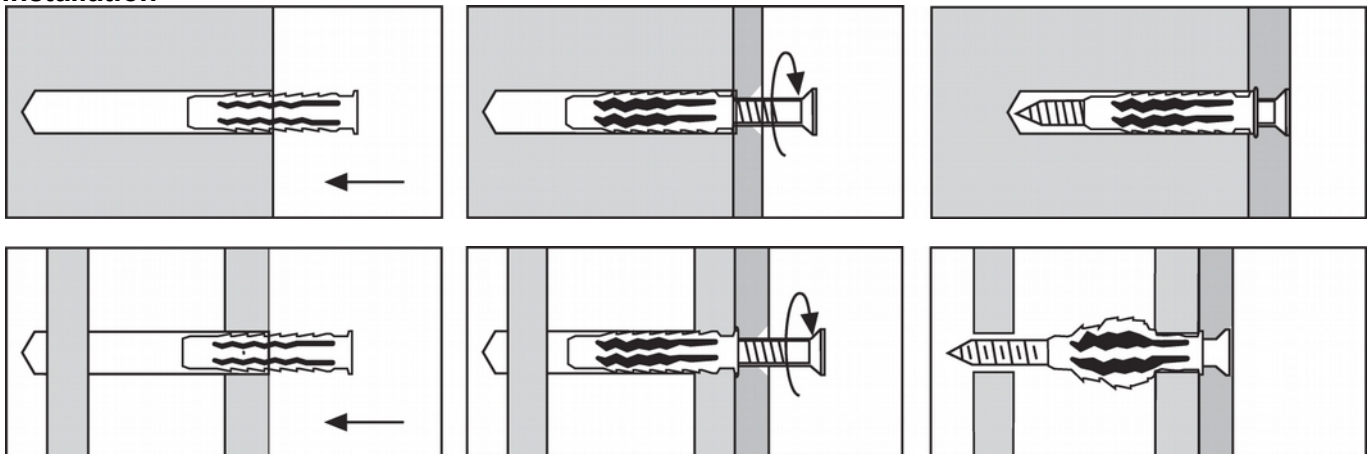
art.	descr.	d mm	L _t mm	h ₁ mm	d _v mm	L _v mm	t _{fix} mm
65005	GL5VPS	5	25	35	4	30	5
65006	GL6VPS	6	30	45	4.5	40	10
65119	GL645VPS	6	45	60	4.5	50	20
65007	GL8VPS	8	40	55	5	50	10
65120	GL850VPS	8	50	65	5	60	20
65008	GL10VPS	10	50	65	6	60	10


GL Nylon with wide-head screw, white-zinc plated

art.	descr.	d mm	L _t mm	h ₁ mm	d _v mm	L _v mm	t _{fix} mm
65087	GL5TL	5	25	35	3.5	30	5
65013	GL6TL	6	30	45	4.5	40	10
65013	GL8TL	8	40	55	5	50	10


GL Nylon with hex head screw in steel 5.8 and washer

art.	descr.	d mm	L _t mm	h ₁ mm	d _v mm	L _v mm	t _{fix} mm
65064	GL8VM	8	40	55	6	50	10
65065	GL10VM	10	50	65	7	60	10
65066	GL12VM	12	60	80	8	70	10
65067	GL14VM	14	70	90	10	80	10


Installation

Materials

part	material	surface
plug	polyamide (Nylon) grey RAL 7035	-
screws and accessories	steel	white zinc plating $\geq 5 \mu\text{m}$ ISO 4042

TECHNICAL DATASHEET
GL NYLON multipurpose plug

 EN
 rev 04/2017
 p. 3/3

Strength data

 in daN (1 daN \approx 1 kg), valid for screws with maximum diameter for each size

Characteristic resistance

descr.	concrete C20/25	solid brick	hollow brick	AAC
GL5	180	150	80	40
GL6 – GL645	280	150	80	50
GL8 - GL850	300	200	150	90
GL10	800	400	300	110
GL12	1200	460	330	130
GL14	2400	510	360	200

 Appropriate safety factor is recommended ($4 \div 5$).

Characteristic resistances derive from tests conducted in G&B Fissaggi's laboratories according to international guidelines. Load values are valid only if installation is performed accurately. Designer is responsible for the choice of size and number of anchors.

Recommended load

descr.	concrete C20/25	solid brick	hollow brick	AAC
GL5	32	27	14	7
GL6 - GL645	50	27	14	9
GL8 - GL850	54	36	27	16
GL10	143	71	54	20
GL12	214	82	59	23
GL14	429	91	64	36

Recommended loads include the above mentioned partial safety factor 4 and the further safety factor 1.4.