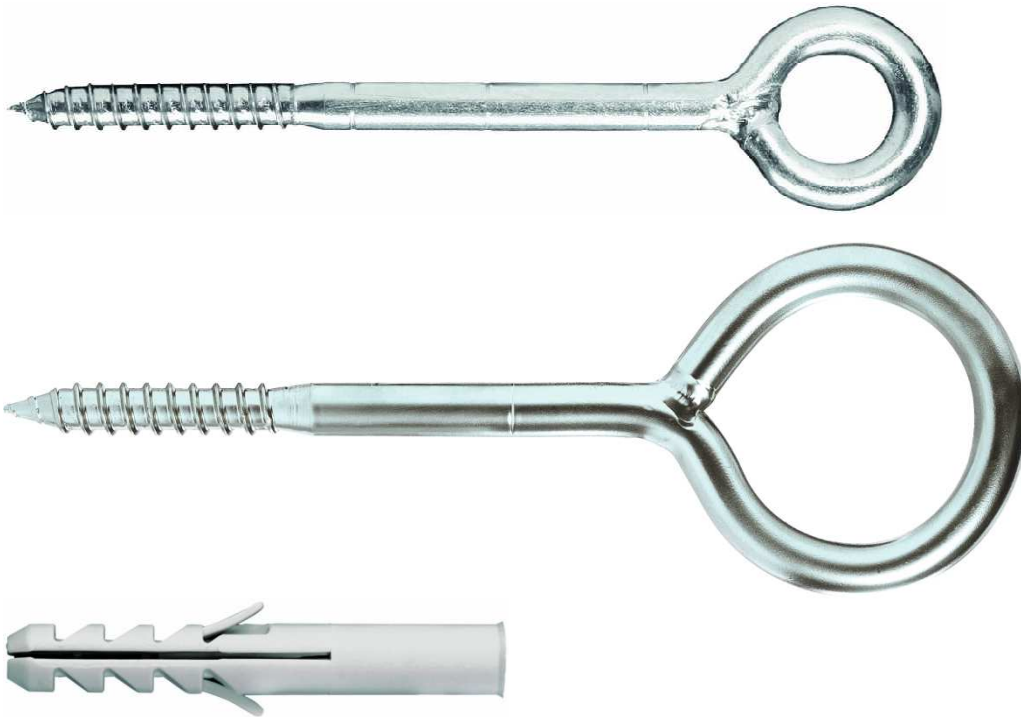


**TECHNICAL DATASHEET**  
**OP12 scaffolding eyebolt**

EN  
 rev. 09/2014  
 p. 1/3



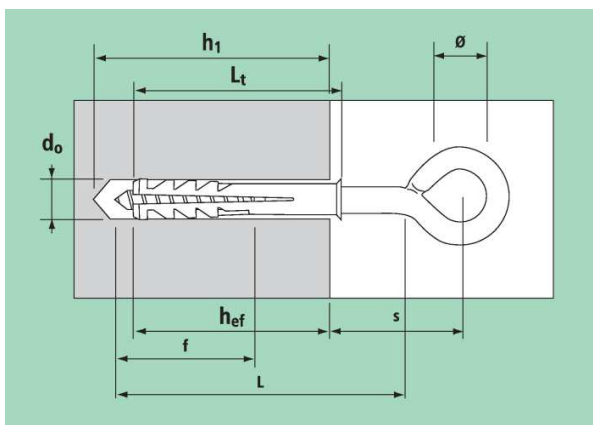
Eyebolt for scaffold and platforms anchoring, complete with nylon plug.  
 Available in two versions with internal diameter 23 mm and 50 mm.

**Certification**

Tested by Department of Structural Engineering of Politecnico di Torino

**Use**

specific use
concrete
stone
solid brick
perforated brick
hollow brick



- $d_0$  = plug diameter = hole diameter
- $L_t$  = plug length
- $h_1$  = minimum hole depth
- $h_{nom}$  = overall embedment depth
- $h_{ef}$  = effective anchorage depth
- $d$  = eyebolt shank diameter
- $L$  = eyebolt length
- $f$  = thread length
- $s$  = projection
- $\emptyset$  = eyebolt internal diameter

$h_{nom} = h_{ef} = L_t$

**TECHNICAL DATASHEET**  
**OP12 scaffolding eyebolt**

EN  
rev. 09/2014  
p. 2/3

**OP12 Eyebolt**  
internal diameter 23 mm



art.	descr.	d mm	L mm	f mm	s mm	Ø mm
TOC1290	OP12x90	12	90	65	115	23
TOC1212	OP12x120		120		145	
TOC1216	OP12x160		160		185	
TOC1219	OP12x190		190		215	
TOC1223	OP12x230		230		255	
TOC1230	OP12x300		300		325	
TOC1235	OP12x350		350		375	

**OP12/50 Eyebolt**  
internal diameter 50 mm



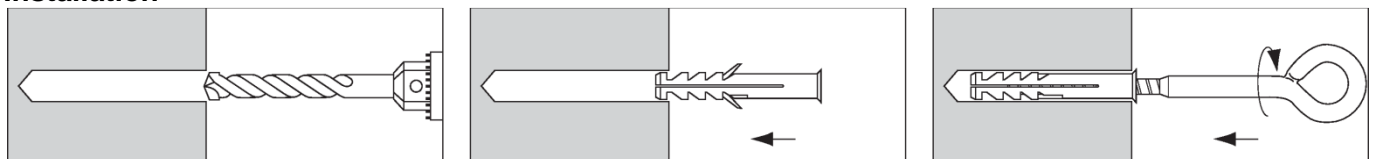
art.	descr.	d mm	L mm	f mm	s mm	Ø mm
TOC121450	OP12/140/50	12	140	70	180	50
TOC121650	OP12/160/50		160		200	
TOC122050	OP12/200/50		200		240	
TOC122550	OP12/250/50		250		290	
TOC123050	OP12/300/50		300		340	

**Condor Nylon plug**  
for OP12 eyebolts



art.	descr.	d mm	L <sub>t</sub> mm	h <sub>1</sub> mm	h <sub>ef</sub> mm
HTC1410	C14A100	14	100	110	100
HTC1614	C16A140	16	140	150	140

**Installation**



**Materials**

material	coating
cold-format steel	white zinc plating ≥ 5 µm ISO 4042

**TECHNICAL DATASHEET**

**OP12 scaffolding eyebolt**

EN  
rev. 09/2014  
p. 3/3

**Strength data**

Valid for a single anchor, isolated and far from the edges, on thick member of sound quality.

**Characteristic resistance (kN)**

building material	concrete	hollow brick
tension resistance	20	7,6

Appropriate safety factor is recommended (3).

Characteristic resistances derive from tests conducted in G&B Fissaggi's laboratories according to international guidelines. Load values are valid only if installation is performed accurately. Designer is responsible for the choice of size and number of anchors.

In case of anchoring on old building materials or otherwise of uncertain quality, it is always recommended to carry out tensile tests on the site prior to the use of the eyebolt.

**Recommended load (kN)**

building material	concrete	hollow brick
tension resistance	4,8	1,8

Recommended loads include the above mentioned partial safety factor of 4 and the further safety factor 1.4.